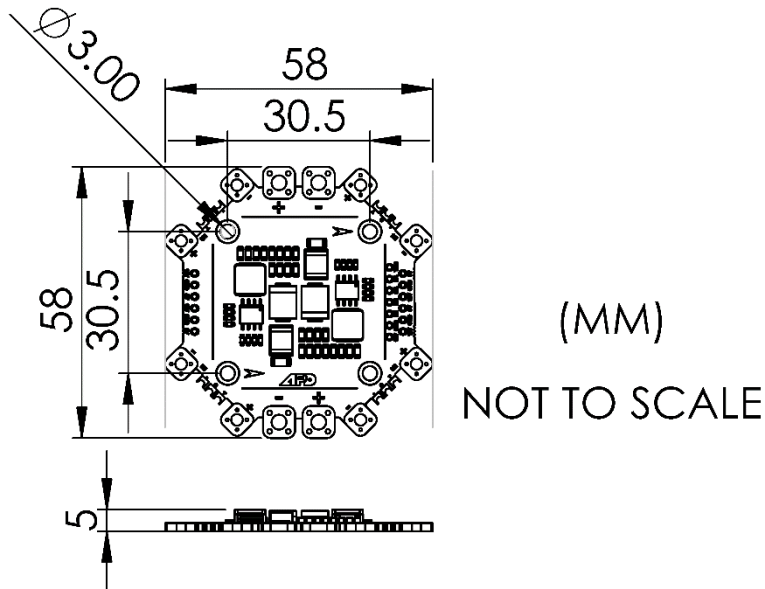




## APD PDB Series: PDB500 Datasheet

Version	1.2	Date	20 <sup>th</sup> December 2021
---------	-----	------	--------------------------------

### Drawings



### Specification

Continuous Current Total (A)	<b>500</b>	Weight (No cables) (g)	<b>31</b>
Continuous Rating Duration (s)	<b>180</b>	Dimensions (mm)	<b>58 × 58 × 5</b>
Burst Current Total (A)	<b>1000</b>	FC Mounting Hole Spacing (mm)	<b>30.5 × 30.5</b>
Burst Rating Time (s)	<b>5</b>	FC shielding from ESC switching noise	<b>Yes (PCB Negative (GND) layer EMI barrier)</b>
Max Voltage (V)	<b>60</b>	Signal/Telemetry line shielding	<b>Yes (Sandwiched between PCB Negative (GND) layers)</b>
Max No. of LiPo Cells (S)	<b>14</b>	Current rating 12V BEC (A)	<b>3</b>
Min Voltage (V)	<b>12</b>	Current rating 5V BEC (A)	<b>3</b>
Min S (LiPo)	<b>4</b>	Max Operating Temperature, Continuous (°C)	<b>105</b>
Recommended Airflow to achieve max power ratings (m/s)	<b>10</b>		

#### Documentation:

<https://docs.powerdrives.net>

#### CAD Files

<https://docs.powerdrives.net/downloads/cad-downloads>